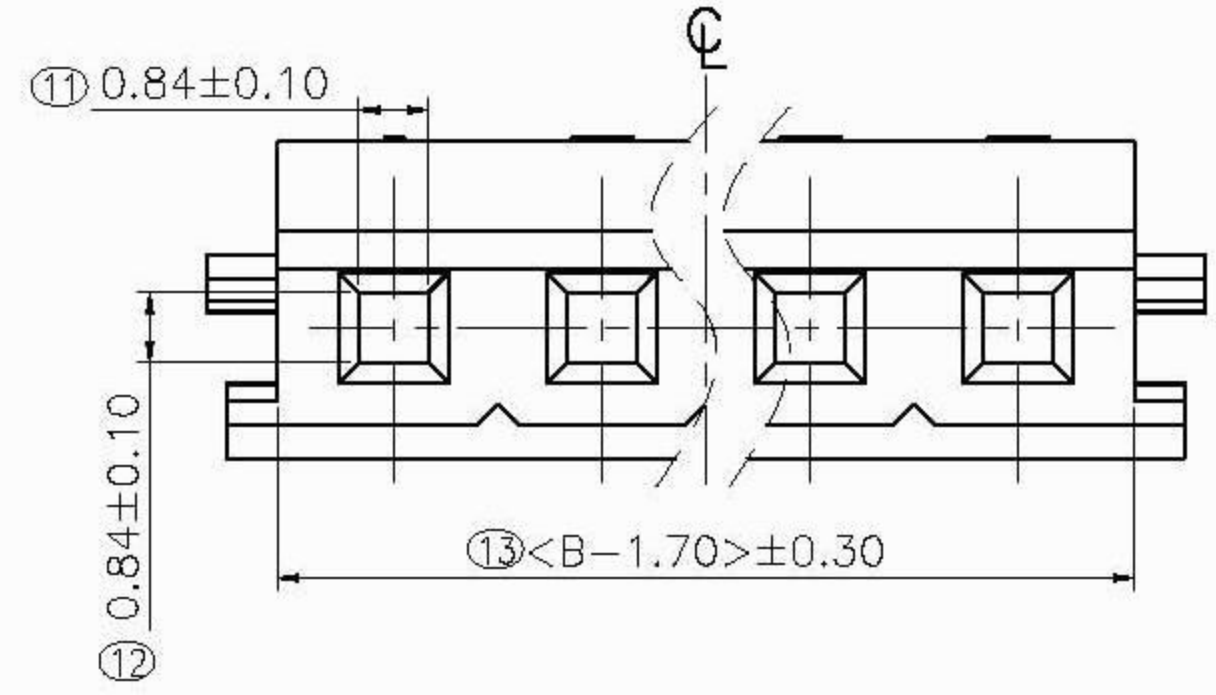
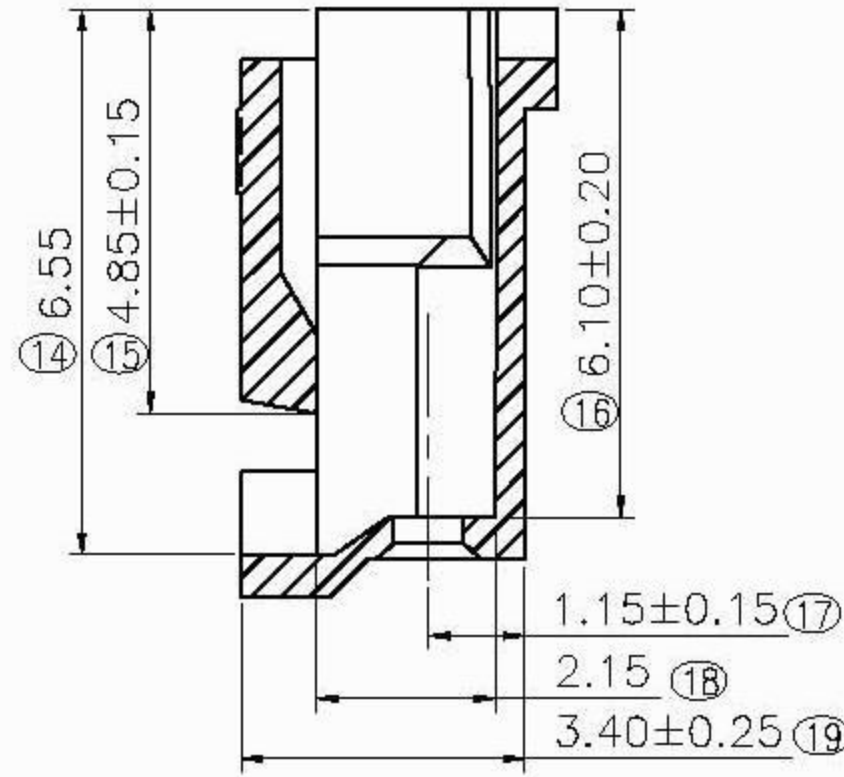
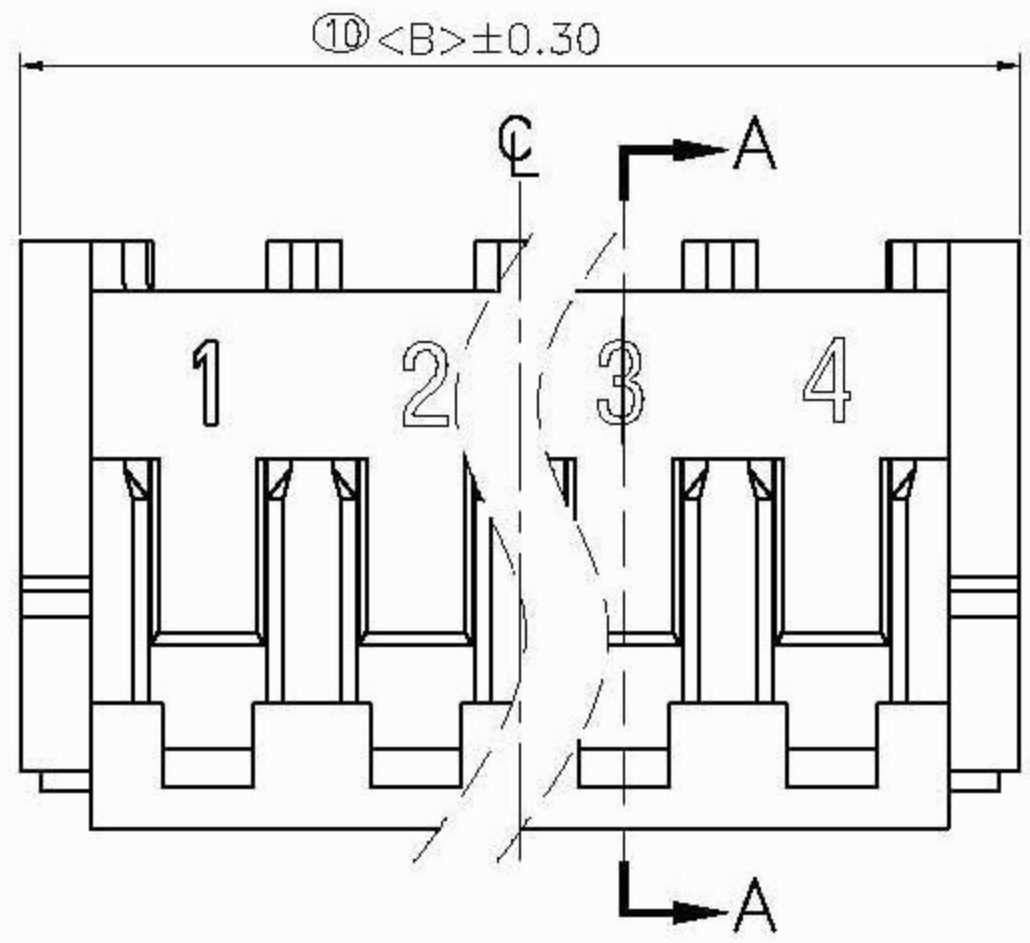
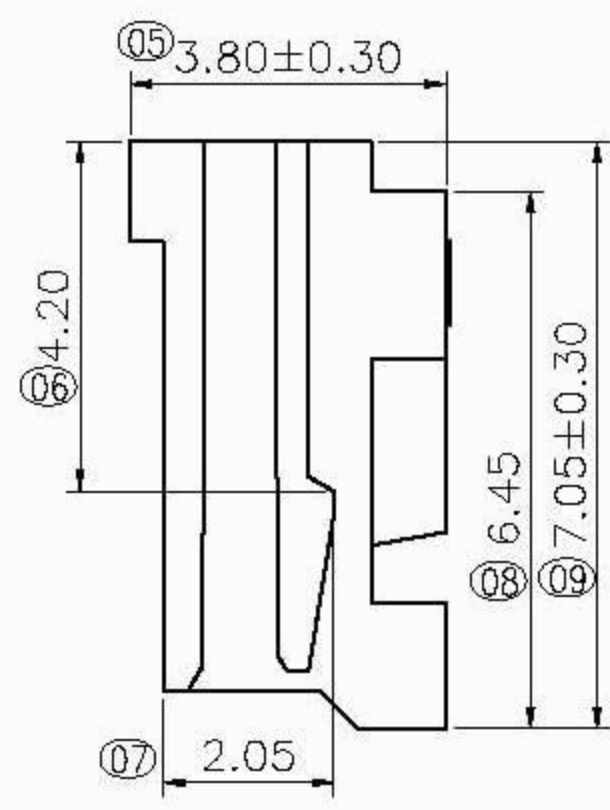


NOTES:
 CURRENT RATING: 2.5A AC/DC.
 VOLTAGE RATING: 250V AC/DC.
 TEMPERATURE RANGE: -25°C~+85°C.
 CONTACT RESISTANCE: 10mΩ MAX.
 INSULATION RESISTANCE:1000MΩ MIN.
 WITHSTANDING VOLTAGE:800V AC/MINUTE.



SECTION: (A-A)

GXCON ENTERPRISE CO., LTD

DIM	TOL	DIM	TOL
X.	/	X'	/
X.X	±0.25	X.X'	±2'
X.XX	±0.20	X.XX'	±1'
X.XXX	±0.10	X.XXX'	/

DRAW NO.	
DESIGN:	
CHECK:	
REVIEW:	

P/N NO:	
WF2503HXX	
REV. A	SCALE 1:1

DRAW NAME:	
EH 2.50 HOUSING	
UNIT:	SHEET:
mm	1 OF 1

